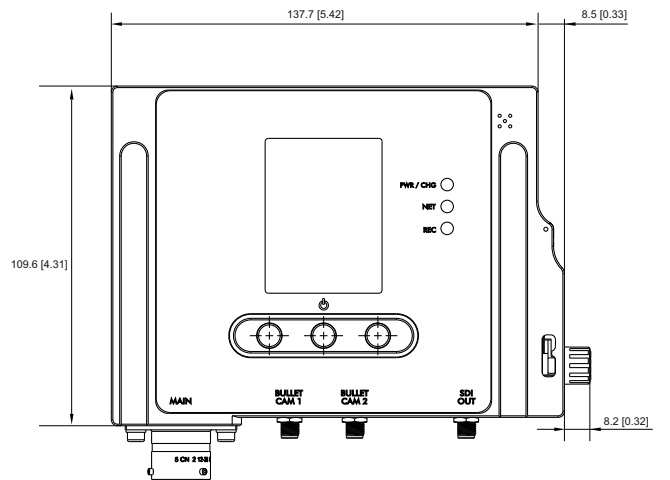
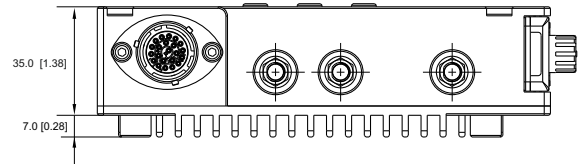
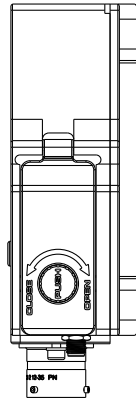
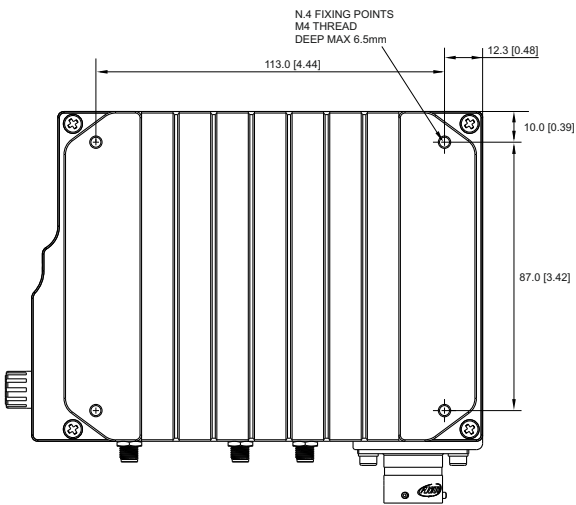
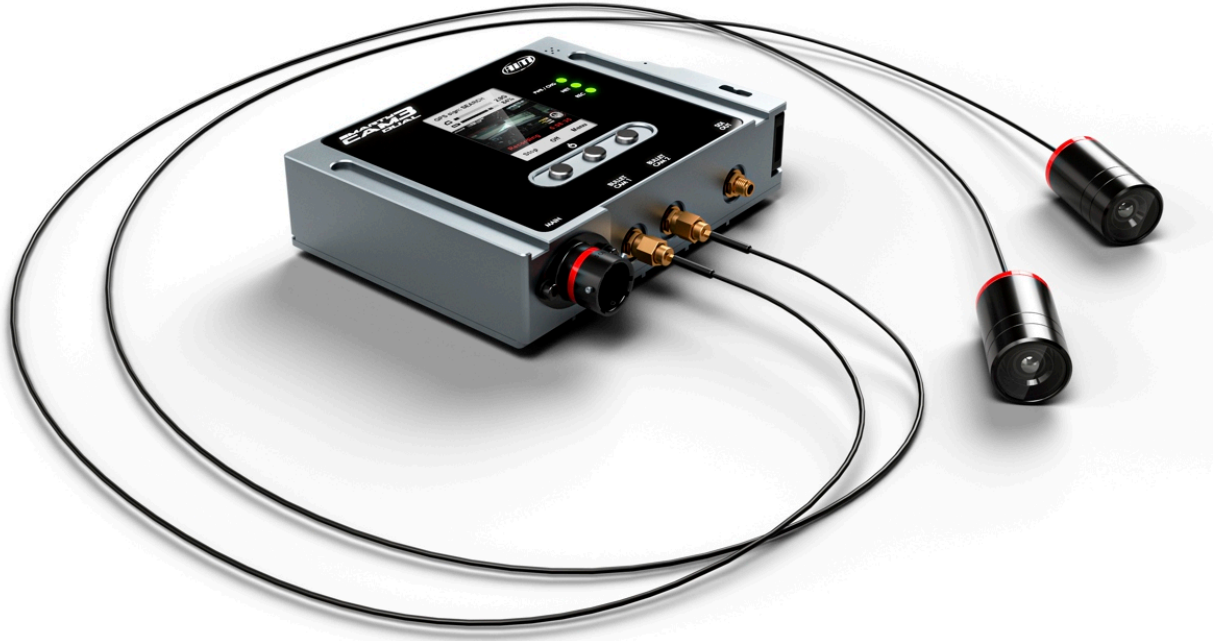




# SmartyCam 3 Dual

On-board camera with bullet cams





# SmartyCam 3 Dual

On-board camera with bullet cams

## Technical characteristics

<b>Video format</b>	H.264 1920 x 1080 pixels @ 60 fps
<b>Display resolution</b>	2.4" 240 x 320 pixels
<b>Lens</b>	Low distortion camera lens
<b>CMOS sensor</b>	Global Shutter
<b>Field of view</b>	67°, 84° or 120°
<b>Internal battery</b>	Rechargeable lithium battery
<b>Video Out</b>	3G-SDI
<b>External power</b>	9-15 Volt
<b>Supported SD card</b>	Up to 2 TB
<b>Usage temperatures</b>	-10°C/+50°C
<b>Auto Power ON</b>	Yes
<b>Auto Power OFF</b>	Yes
<b>Auto Start/Stop Recording</b>	Yes
<b>Body</b>	Anodized Aluminum
<b>Dimensions</b>	Main unit 154.4 x 109.6 x 42 mm Bullet camera 24 diam x 46.0 mm (120° lens) Bullet camera 24 diam x 41.0 mm (67°-84° lens)
<b>Connectors</b>	1 Deutsch 22 pin + 1 SMA SDI Video out + 2 SMA bullet connection + 1 USB-C
<b>Bullet cable length</b>	From 0.5 m to 4 m (7 lengths available)
<b>Weight</b>	Main unit 800 g Bullet 45 g
<b>Waterproof</b>	IP65



# SmartyCam 3 Dual

On-board camera with bullet cams

## Part numbers

**XS3DB6767L2L200**

**Kit 1** SmartyCam 3 Dual Module + 2 Bullet cam 67° + 2 Bullet cam cable 2 m  
+ Standard + Ethernet Harness

**XS3DB8484L2L200**

**Kit 2** SmartyCam 3 Dual Module + 2 Bullet cam 84° + 2 Bullet cam cable 2 m  
+ Standard + Ethernet Harness

## Optionals/Spare parts

**XS3DUAL00**

SmartyCam 3 Dual Module

**XS3B06700**

SmartyCam 3 Bullet cam 67°

**XS3B08400**

SmartyCam 3 Bullet cam 84°

**XS3B12000**

SmartyCam 3 Bullet cam 120°

**V02584190**

Bullet cam cable 0.5 m

**V02584180**

Bullet cam cable 1 m

**V02584170**

Bullet cam cable 1.5 m

**V02566980**

Bullet cam cable 2 m

**V02584220**

Bullet cam cable 2.5 m

**V02584160**

Bullet cam cable 3 m

**V02584070**

Bullet cam cable 4 m

**V02584300**

Standard harness (see page 5)

**V02584350**

Standard + Ethernet harness (see page 5)

**V02584290**

Full harness (see page 6)

**5CN822F00**

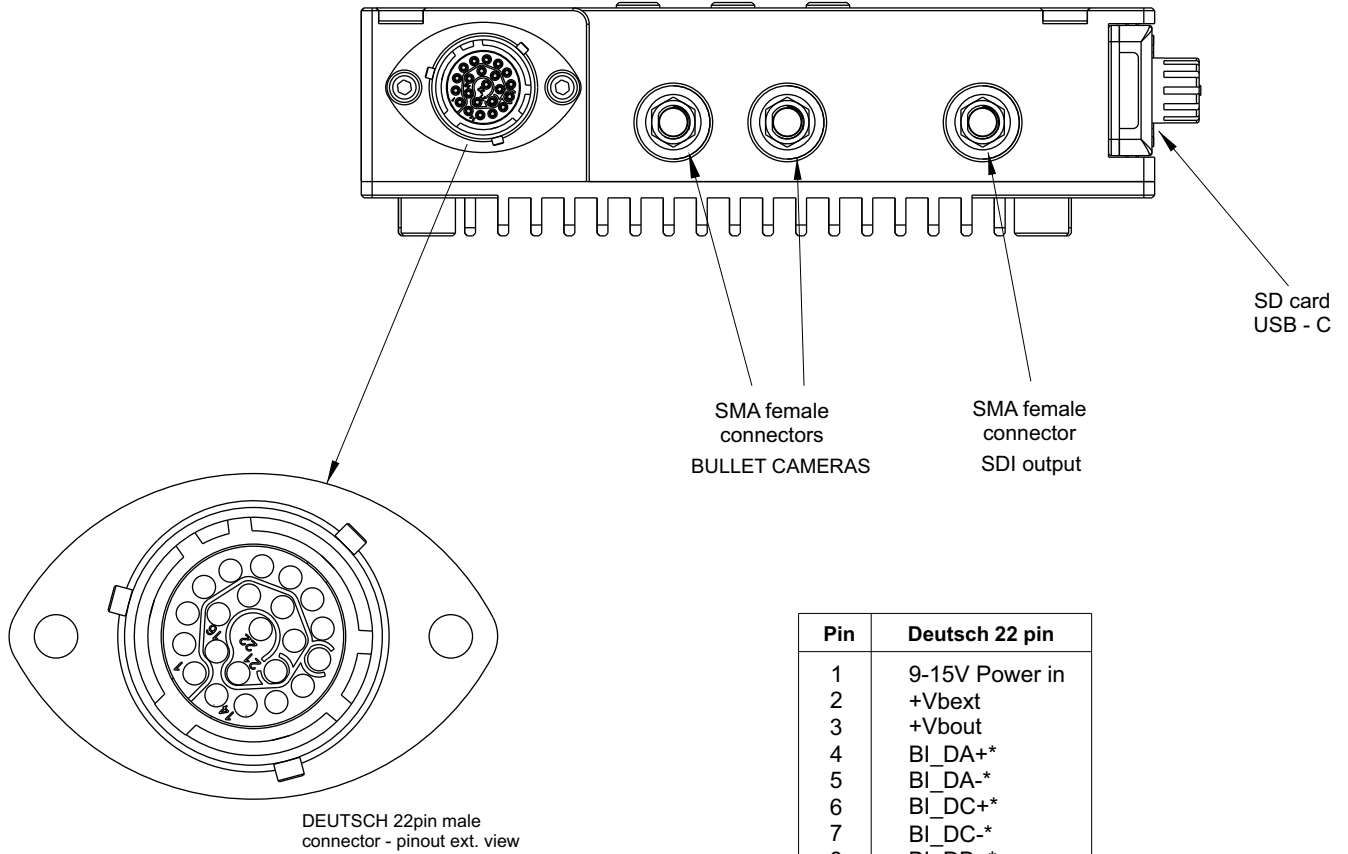
Motorsport connector 22 pins + contacts (see page 6)



# SmartyCam 3 Dual

On-board camera with bullet cams

## Pinout



Pin	Deutsch 22 pin
1	9-15V Power in
2	+Vbext
3	+Vbout
4	BI_DA+*
5	BI_DA-*
6	BI_DC+*
7	BI_DC-*
8	BI_DB+*
9	BI_DB-*
10	GND
11	GND
12	N.C.
13	ECU CAN -
14	Ext MIC -
15	Ext MIC +
16	AIM CAN -
17	AIM CAN +
18	BI_DD-*
19	BI_DD+*
20	GND
21	ECU CAN +
22	N.C.

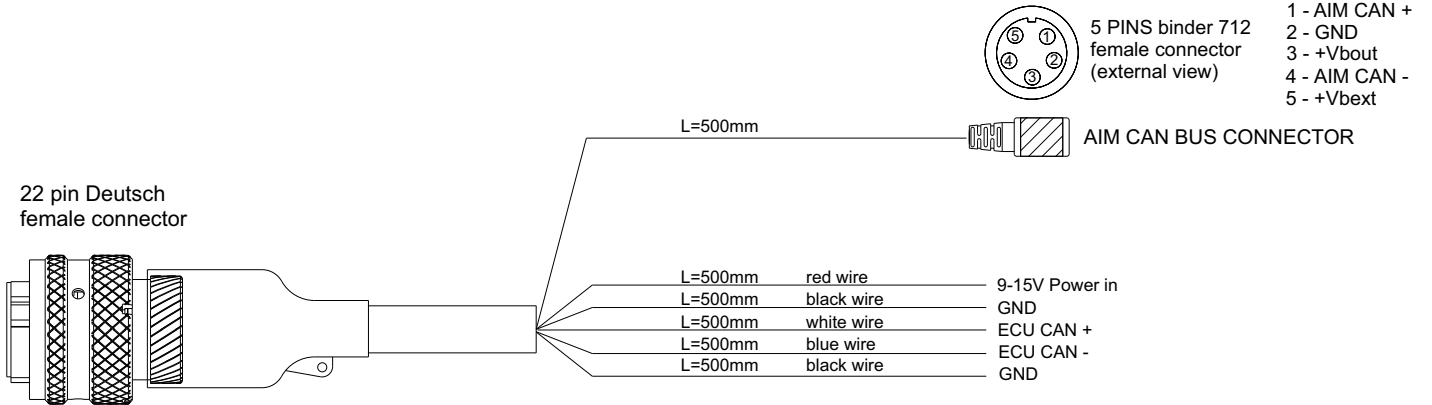
\* Ethernet



# SmartyCam 3 Dual

On-board camera with bullet cams

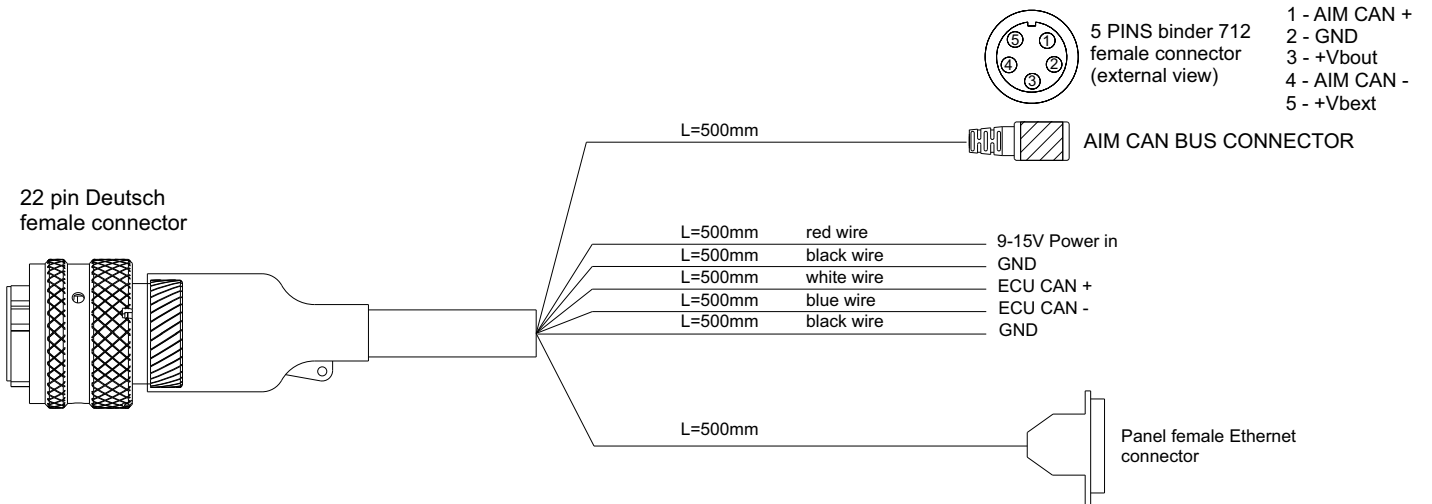
## Standard harness



## Part number

V02584300 Standard harness

## Standard + Ethernet harness



## Part number

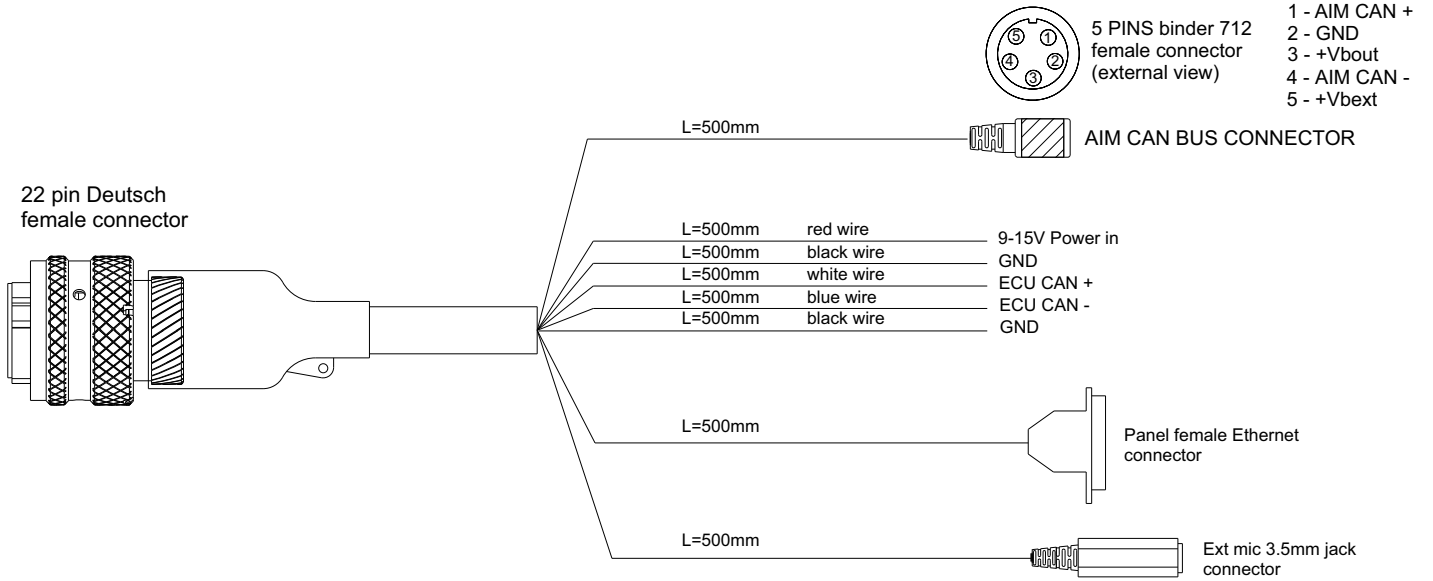
V02584350 Standard + Ethernet harness



# SmartyCam 3 Dual

On-board camera with bullet cams

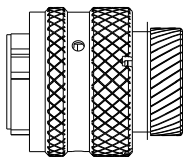
## Full harness



## Part number

**V02584290** Full harness

## Connector only (pins included)



## Part number

**5CN822F00** Motorsport connector 22 pins + contacts