



# COST EFFECTIVE SENSORS

## LINEAR POSITION TRANSDUCER

### RSL AUTOSPORT

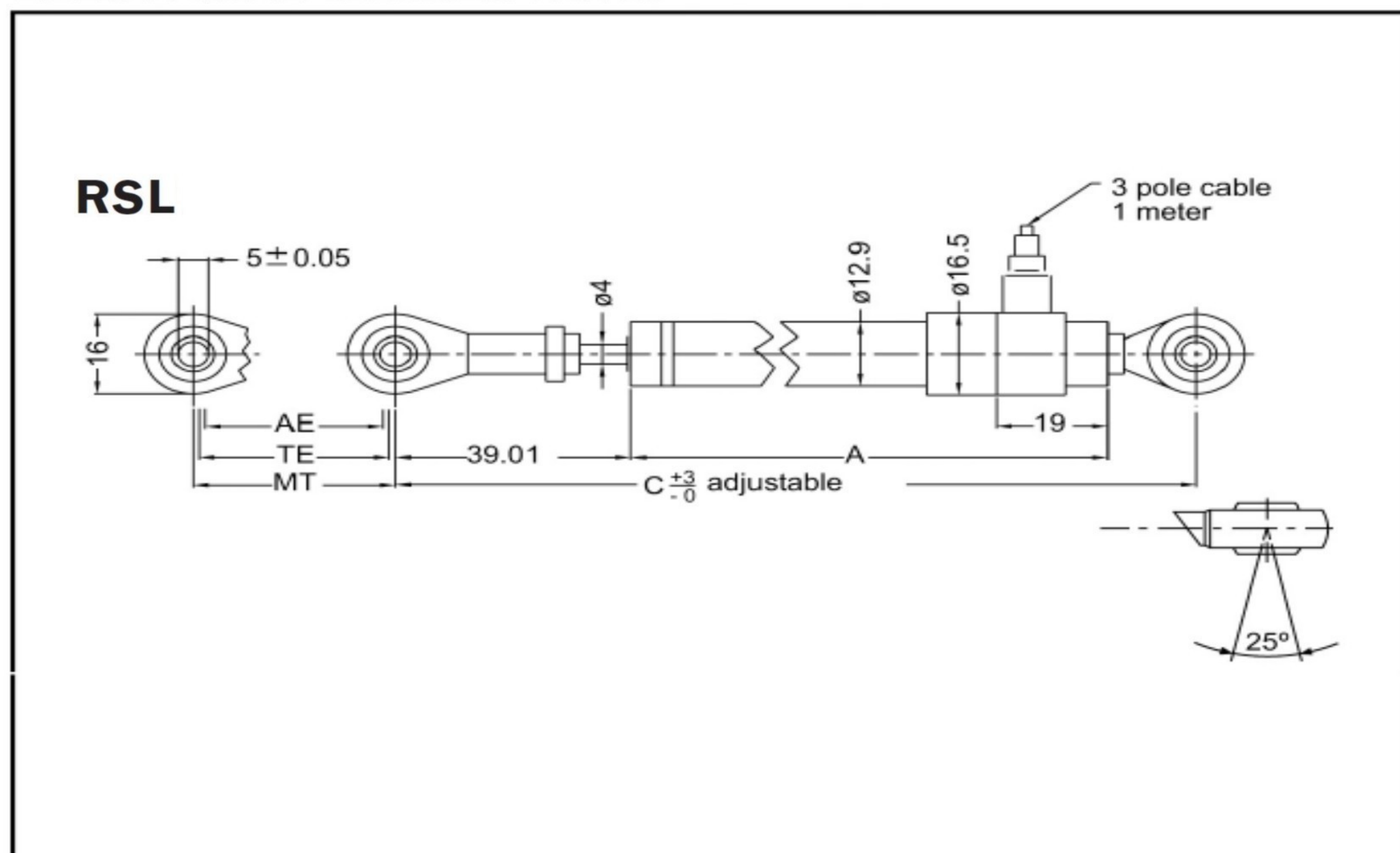
#### Main Features

- Very Long life
- Mini design for limited space
- Three mounting methods
- High resolution
- Anodised aluminium housing

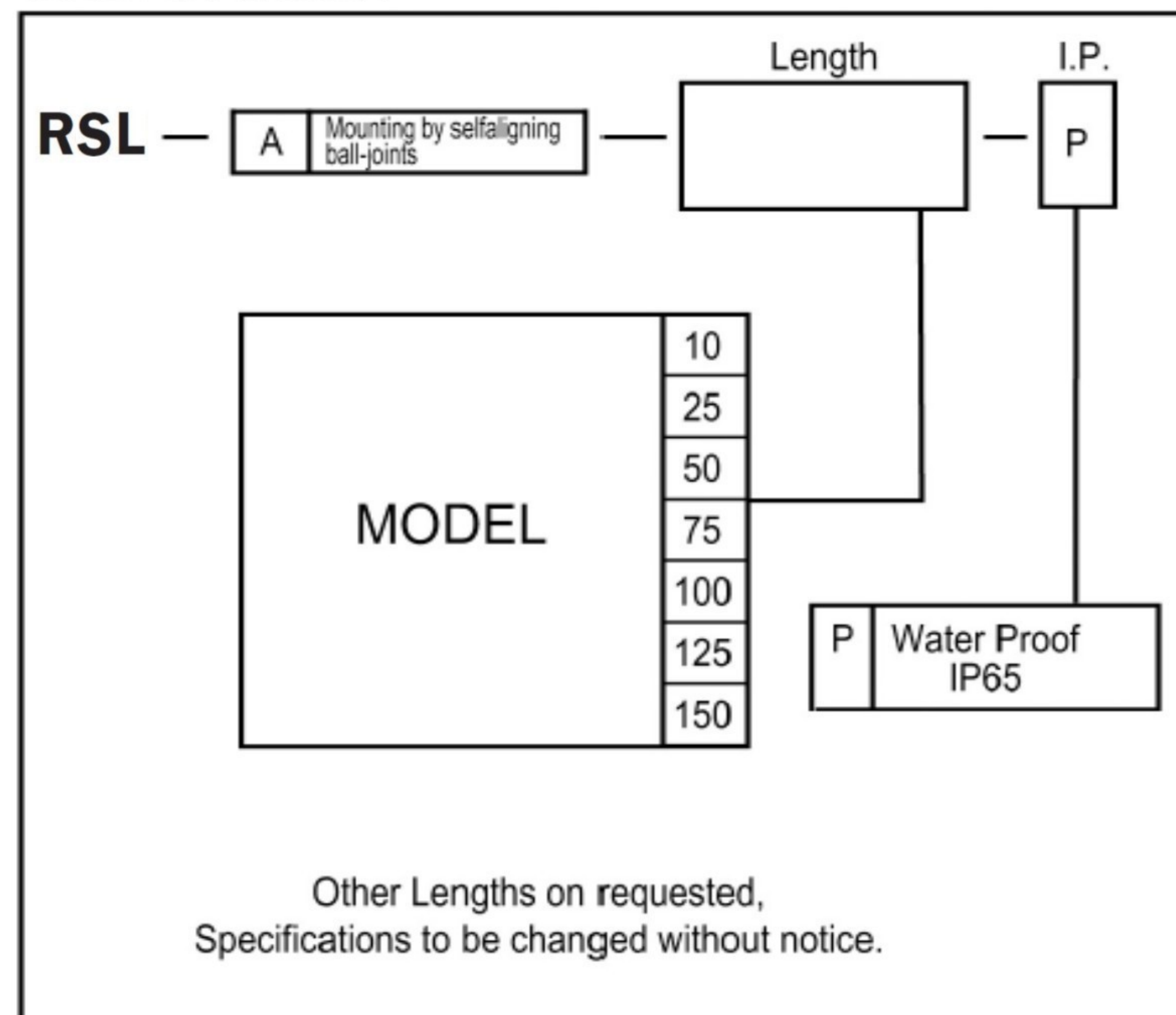
- ▶ Very Long Life : **>100 x 10<sup>6</sup> Cycles**
- ▶ Stroke : **10-150mm**
- ▶ Outstanding Linearity up to: **+/-0.1%**
- ▶ High Resolution : **Infinite**
- ▶ Excellent Repeatability : **+0.01mm**
- ▶ Max operating speed : **5m/s max.**
- ▶ RSL - two self-aligning ball joints
- ▶ Sealing IP 65 standard
- ▶ Fuse Protected optional
- ▶ Operating Temperature : **-30 -100°C**
- ▶ Storage Temperature : **-30 -120°C**

#### Characteristics

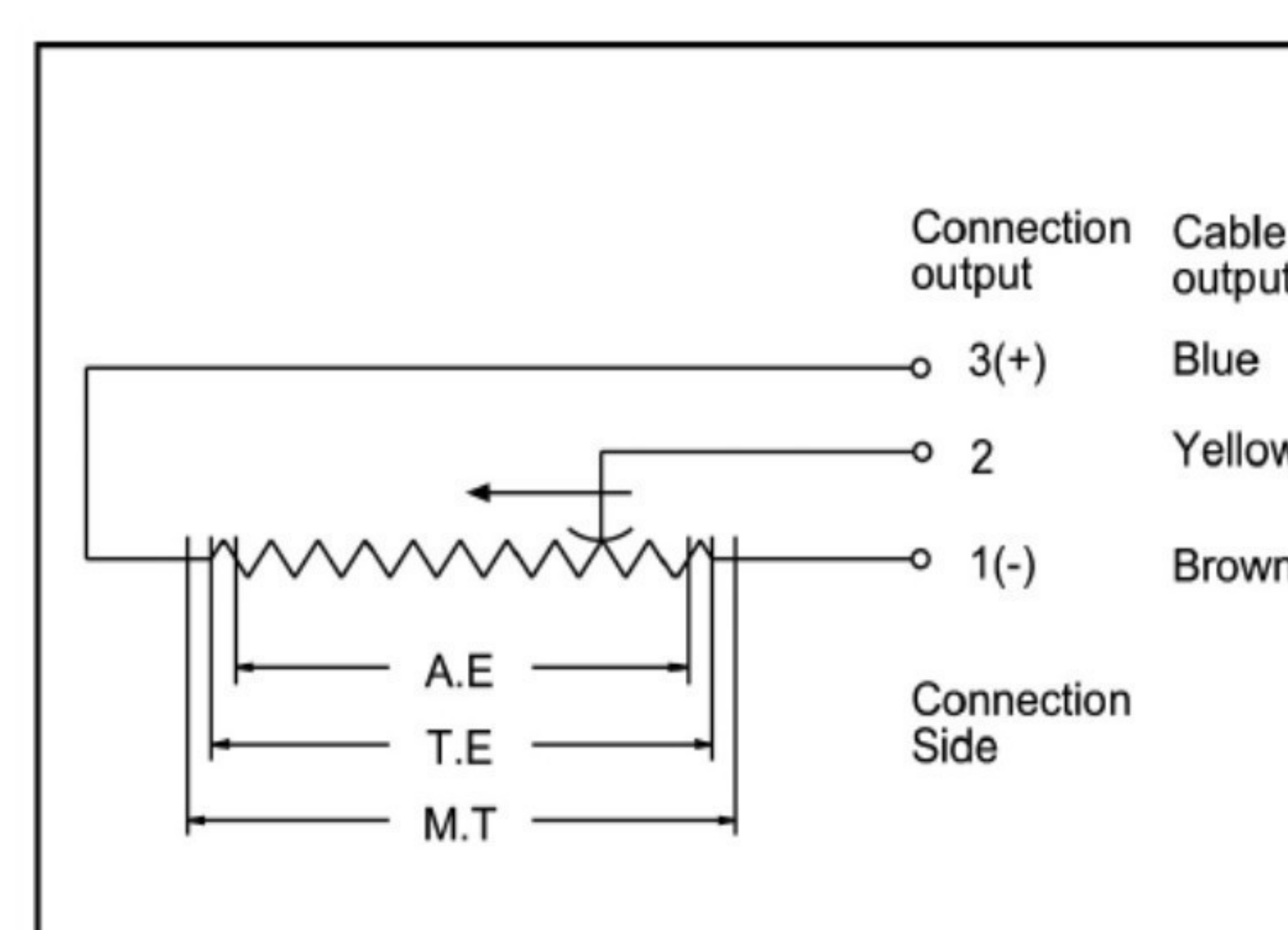
##### ELECTRICAL CONNECTIONS



##### ORDER CODE



RSL series		10	25	50	75	100	125	150
Total Electrical Travel(T.E)	mm	11	26	51	76	101	126	151
Active Electrical Travel (A.E)	mm	10	25	50	75	100	125	150
Resistance ±20%	kΩ	1	1	2	3	4	5	5
Independent Linearity	±%	0.3	0.2	0.1	0.1	0.1	0.05	0.05
Mechanical Travel (M.T)	mm	15	30	55	80	105	130	155
Resolution		infinite						
Recommended Cursor Current	μA	< 1						
Temperature Range	°C	-30 to +100						
Dimensions (A) RSL	mm	87	102	127	152	177	202	227
Dimensions (C)	mm	138	153	178	203	228	253	278
Net Weight RSL	g m	55	70	80	90	100	110	120



\* Dimensions for reference only